

MODEL 41-83

SPECIFICATIONS

Model 41-83, Code 121 is a five (5) tube portable battery operated superheterodyne consisting of a self-contained loop aerial; permanent magnet speaker, Push-Pull pentode audio output stage with screw phase inversion and an automatic volume control circuit. In addition are provided for an outside aerial and ground.

TUNING RANGE: 540 to 1600 K. C.

INTERMEDIATE FREQUENCY: 455 K. C.

PHILCO TUBES USED: 1A7G, converter; 1N5G, I. F. amplifier; 1H5G, 2nd detector, 1st audio and two 1LA4 tubes audio output.

BATTERIES REQUIRED: One Philco Type P41A4G.

VOLTAGE AND CURRENT CONSUMPTION: "A" 1.5 volts, 250 Ma
"B" 90 volts, 7.5 Ma

To install the battery, remove the two back mounting screws. Then, remove the back by pulling it out gently at the top and lifting up. Care should be taken not to loosen the wires attaching the loop antenna to the chassis when inserting the battery.

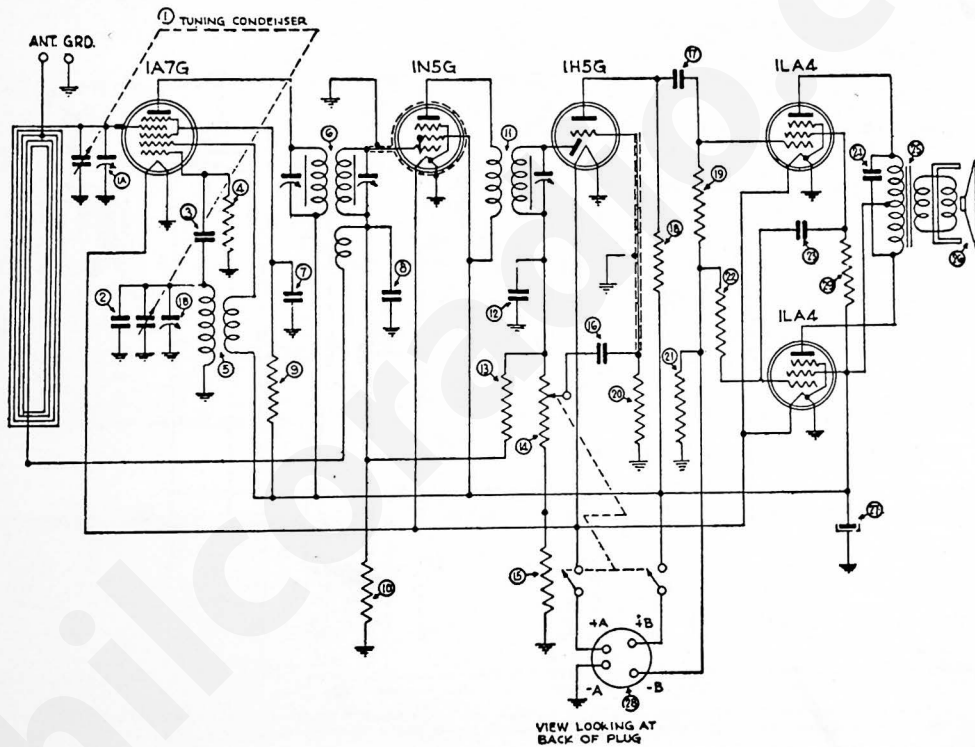
Observe the arrangement of the pins on the plug of the battery cable and the corresponding holes in the socket of the battery, so you will be sure to insert them correctly. Insert the plug into the battery socket facing the chassis.

Replace the back of the cabinet with the screws making sure both of them are screwed in tight.

EXTERNAL AERIAL AND GROUND

For maximum performance in permanent or semi-permanent installations (such as regular camps, etc.) provisions have been made on the radio to connect a regular outside aerial. Connect the aerial lead-in under the left hand cabinet-back mounting screw, and the ground lead under the right hand cabinet-back mounting screw. A good ground is essential when an outside aerial is used.

External loop aerial connections are also provided on the side of the cabinet for connecting an additional portable loop aerial. The external aerial should be used on trains, hotels, or other locations where signal strength is weak. The Philco Auxiliary Aerial Part No. 45-2807 is especially designed for installations of this type.



Replacement Parts — Model 41-83

SCHEM. No.	DESCRIPTION	PART No.	SCHEM. No.	DESCRIPTION	PART No.	SCHEM. No.	DESCRIPTION	PART No.
1	Tuning Condenser	31-2455	18	Resistor (2.2 meg., 1/4 watt)	33-522154		Coil (Coil Mtg.)	28-5002
2	Mica Condenser	60-010157	19	Resistor (2.2 meg., 1/4 watt)	33-522154		Dial Scale	27-5578
3	Mica Condenser	60-111157	20	Resistor (4.7 meg., 1/4 watt)	33-547154		Screw (Scale Mtg.)	97-0111
4	Resistor (220,000 ohms, 1/2 watt)	33-422154	21	Resistor (560 ohms, 1/2 watt)	33-156321		Dial Pointer	27-4891
5	Oscillator Transformer	32-3425	22	Resistor (2.2 meg., 1/4 watt)	33-522154		Drive Shaft	76-1036
6	1st I. F. Transformer	32-3265	23	Tubular Condenser (.01 mf., 400 V.)	30-4572		Drive Cord Assembly	31-2411
7	Tubular Condenser (.01 mf., 400 V.)	30-4572	24	Mica Condenser (.0005 mf.)	60-150157		Spring (Drive Cord)	28-8751
8	Tubular Condenser (.05 mf., 200 V.)	30-4519	25	Output Transformer	32-8107		Knob (Tuning-Volume)	27-4970
9	Resistor (33,000 ohms, 1/4 watt)	33-333154	26	Speaker	36-1481		Socket (R. F., I. F. Tubes)	27-6133
10	Resistor (4.7 megs., 1/4 watt)	33-547154	27	Electrolytic Condenser (10 mf., 150 V.)	36-4121		Socket (Output Tubes)	27-6139
11	2nd I. F. Transformer	32-3266					Speaker	36-1481
12	Mica Condenser (250 mmf.)	60-125157					Screw (Mtg. Spk.)	W-1974
13	Resistor (10 megs., 1/4 watt)	33-610154					Tube Shield Ground Clip	56-1566
14	Volume Control (1 meg.)	33-5389	28	Battery Cable	41-3487		Washer (Chassis Mtg.)	W-410
15	Resistor (6800 ohms, 1/2 watt)	32-268344	29	Resistor (10,000 ohms, 1/4 watt)	33-310154		Screw (Chassis Mtg.)	W-2067
16	Tubular Condenser (.004 mf., 400 V.)	30-4578						
17	Tubular Condenser (.004 mf., 400 V.)	30-4578						

MISCELLANEOUS PARTS

Cabinet	10477B
Screw (Back Mtg.)	W-2188